

30-Amp PWM Controller with Digital Filtering

RLC30 and RLC30-S

The RLC30 PWM controller allows you to control power to a resistive load, such as a heater, lamp or electrolytic cell using a potentiometer or an analog voltage level (0-5V). Use of PWM and low on-resistance MOSFETs allows for high efficiency control with minimal power loss.

Absolute Maximum Ratings:

Parameter	Max	Units
Continuous Output Current	30	A
Instantaneous Output Current	40	A
Continuous Input Voltage	25	V

Warning – operating at or above the absolute maximum ratings may damage your controller or your equipment under control.

Operating Parameters:

Parameter	Min	Typical	Max	Units
Input Voltage	5.5	--	20	V
Continuous Output Current	--	--	30	A
Digital Logic Input Low Level	0	--	1.5	V
Digital Logic Input High Level	3.5	--	5	V
Digital Input Capacitance	--	0.1	--	uF
Analog Voltage Input	0.0	--	5.0	V
Potentiometer Total Resistance	1	5	30	kΩ
Soft Start from Disabled Mode, Ramp Rate*	--	100	--	% / s
PWM Frequency	150	200	250	Hz
Quiescent Current Drain	5	6	8	mA
Temperature	-20	25	+50	°C

* on RLC30-S models

Pin-out:

Pin Label	Function	Active H/L
EN	PWM output enable (internal pull-up)	H = enable L = disable
POT+	Upper pin of potentiometer (5V)	--
Center	Wiper of potentiometer	--
POT-	Lower pin of potentiometer (GND)	--
OUT-	Negative output to LOAD	--
OUT+	Positive output to LOAD	--
GND in	Ground from power supply	--
V+ in	Positive Power Supply	--

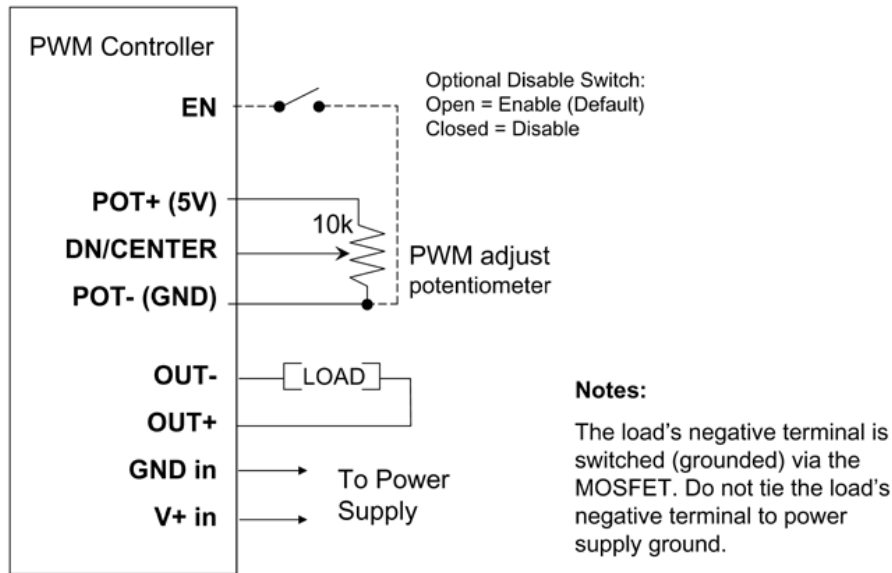


Figure 1: Connection Diagram

Operation:

A potentiometer of 1k – 30k can be used to control the pulse width. Alternatively, a varying voltage (0 – 5 V) level applied between the CENTER and POT- pins can be used as well. The voltage input is converted to a pulse width at the output (0 – 100%).

There is a built-in dead-band for potentiometer operation that sets the duty cycle to:

- 0% for any control voltage level < 0.10 V.
- 100% for any control voltage level > 4.90 V.

This dead-band along with digital filtering ensures smooth and reliable operation even with dirty potentiometers.

Output Enable:

The output is enabled by default and is internally pulled up. Bringing the EN pin low immediately brings the PWM output to 0%. Allowing the pin to return to high re-enables the PWM output at the previous duty cycle.

Soft Start (on RLC30-S models only):

The output is automatically ramped up back to the original PWM level at a rate of 100% per second when the controller is switched from disabled to enabled. This reduces the stress placed on power supplies when the load is first turned on.

Application Notes:

A fast-acting 30 Amp or lower fuse appropriately rated for the load device is required for safe operation.

PWM controllers switch currents at high frequencies to vary the average power to the load. This switching can cause undesirable RF interference. To minimize such interference, it is recommended to twist the input V+ and Ground wire pair as well as the Out+ and Out-wire pair.

This controller is not reverse-polarity protected. **Ensure that it is wired correctly before applying power.** Always turn off the power supply before making any changes to the wiring.

Ensure that the controller has adequate air flow for proper cooling. If operating for extended periods of time in high temperature environments, a cooling fan may be necessary.

Use the shortest possible wiring between the load and controller, and between the controller and the power source. Ensure that the cables carrying the load current are adequately sized. If the wiring from the power source to the controller is more than 12 inches long, a 2200 uF 50V filter capacitor should be connected to the V+ and GND terminals of the PWM controller. Inadequate power supply filtering or other causes leading to a high impedance path to the power supply will result in higher losses in the filter capacitor and wiring, and may damage the load and/or controller.

30-Day Limited Warranty:

Subject to the provisions described below, CRITICAL VELOCITY ENTERPRISES, LLC ("Critical Velocity") warrants this product to be free from defects in material and workmanship for thirty (30) days from the date of purchase by the original consumer. If any part is found to be defective during the warranted period, it will be repaired or replaced with the same or functionally equivalent product by Critical Velocity, at its discretion, free of charge provided you: (1) return the failed product to Critical Velocity with shipping prepaid, and (2) provide Critical Velocity with proof of the original date of purchase. Repaired or replacement products will be returned to you with shipping charges prepaid.

Replacement products may be refurbished or contain refurbished materials. If Critical Velocity, by its sole determination, is unable to repair or replace the defective product, it will refund the purchase price of the product. This warranty does not apply if, in the judgment of Critical Velocity, the product fails due to damage from shipment, handling, storage, accident, abuse or misuse, or if it has been used or maintained in a manner not conforming to product manual instructions or has been modified in any way. Repair by anyone other than Critical Velocity will void this warranty. The maximum liability of Critical Velocity under this warranty is limited to the purchase price of the product covered by the warranty.

EXCEPT AS SPECIFICALLY PROVIDED IN THIS AGREEMENT OR AS REQUIRED BY LAW, THE WARRANTIES AND REMEDIES STATED ABOVE ARE EXCLUSIVE AND IN LIEU OF ALL OTHERS, ORAL OR WRITTEN, EXPRESS OR IMPLIED. ANY AND ALL OTHER WARRANTIES, INCLUDING IMPLIED WARRANTIES OF MERCHANTABILITY, FITNESS FOR A PARTICULAR PURPOSE AND NON-INFRINGEMENT OF ANY PATENT, COPYRIGHT OR OTHER INTELLECTUAL PROPERTY RIGHT ARE EXPRESSLY EXCLUDED. CRITICAL VELOCITY SHALL NOT UNDER ANY CIRCUMSTANCES BE LIABLE FOR ANY SPECIAL, INCIDENTAL, INDIRECT OR CONSEQUENTIAL DAMAGES, INCLUDING WITHOUT LIMITATION, DAMAGES RESULTING FROM USE OR MALFUNCTION OF THE PRODUCTS, LOSS OF PROFITS OR REVENUES OR COSTS OF REPLACEMENT GOODS, EVEN IF CRITICAL VELOCITY IS INFORMED IN ADVANCE OF THE POSSIBILITY OF SUCH DAMAGES.

UNLESS EXPRESSLY APPROVED IN WRITING BY AN AUTHORIZED CRITICAL VELOCITY REPRESENTATIVE, CRITICAL VELOCITY PRODUCTS ARE NOT RECOMMENDED, AUTHORIZED OR WARRANTED FOR USE IN MILITARY, AIR CRAFT, SPACE, LIFE SAVING OR LIFE SUSTAINING APPLICATIONS, NOR IN PRODUCTS OR SYSTEMS WHERE FAILURE OR MALFUNCTION MAY RESULT IN PERSONAL INJURY, DEATH, OR SEVERE PROPERTY OR ENVIRONMENTAL DAMAGE.